

Sensor tap EKE



Application areas

Ideal in combination with
E-compact instant water heater

> Kitchen sink

> Touch-free warm water supply

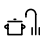


Sensor tap

EKE

Product information



	 EKE
Part number:	1100-04235
Type:	closed-outlet
Energy supply battery [6 Volt Lithium CRP2]:	Accessory: 89516 BBW
Energy supply power supply unit [1~/N/PE 230V AC / 6V DC]:	Accessory: 89484 SNG
Tap (surface material):	Brass chromed, polished
Maximum operating pressure [bar]:	0.3 – 10
Water connections (thread connections):	G 3/8"
Hot water temperature [°C]:	max. 80
Flow rate single lever mixer [l/min]:	ca. 11
Flow rate sensor [l/min]:	ca. 5
Water follow-up time [s]:	1 (adjustable 0,1 – 10)
Continuous running-in time [min.]	2 (adjustable 0,5 – 20)
Strainer [mm]:	0.5 mesh size
Standards, norms:	DIN EN 200, CE
Spout [cm]:	21.5
Dimensions (high) [cm]:	37.5

Description

- > Sensor tap for the kitchen sink with lateral operating lever
- > An infrared touch-free sensor (automatic setting) with magnetic valve turns the water on without contact
- > Mixing device for continuous temperature regulation
- > Tap water with maximum flow via lateral operating lever
- > Closed-outlet construction for pressure resistant instant water heaters
- > Temporary-off for cleaning and continuous-on for filling selectable
- > Activatable hygienic rinse (automatic rinse every 12 or 24 hours)
- > Power supply either with battery 6 Volt Lithium CRP 2 (service life approx. 4 years) or with power supply unit 1~/N/PE 230V AC / 6V (both options available separately as accessories)
- > Flexible connecting hose 3/8 inch × 35 cm
- > Connectable to water management system via optional CNX controller
- > Without pop-up waste

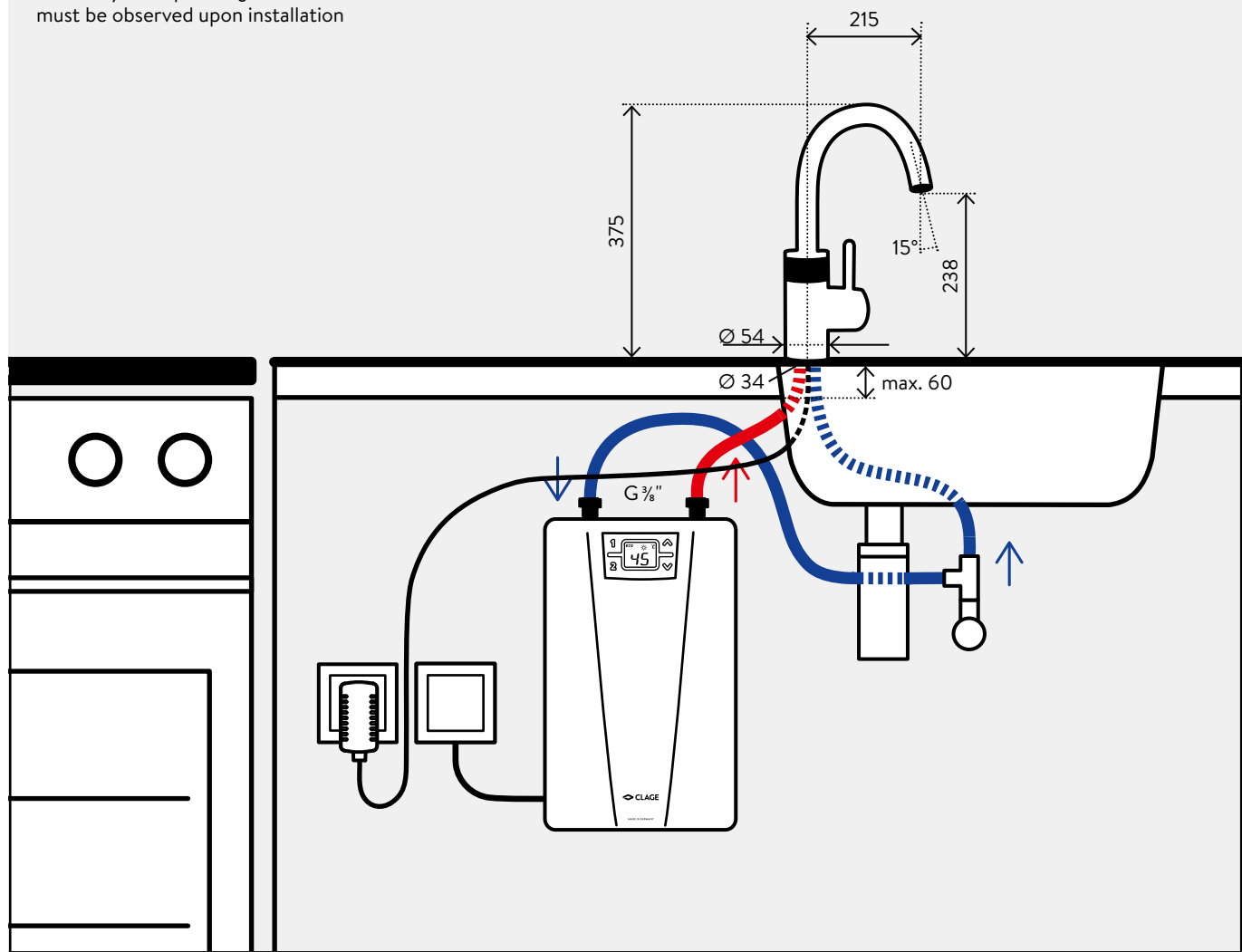
Sensor tap EKE Installation



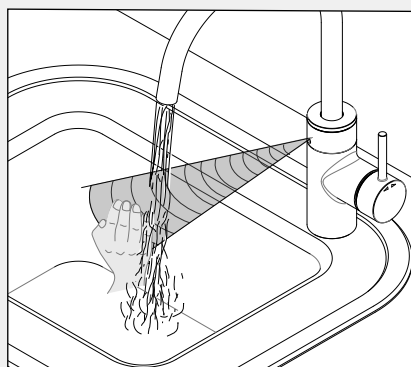
Example of installation with **closed-outlet tap EKE** and power supply via plug with **accessory SNG**.

Measurements in mm

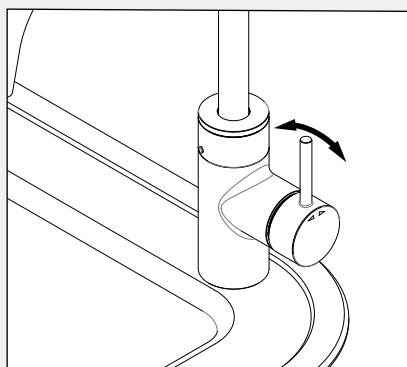
Assembly and operating instructions must be observed upon installation



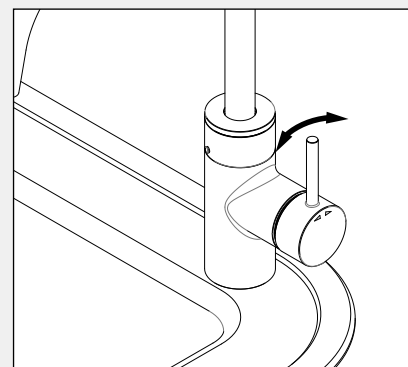
Functions of the sensor tap



Water automatically on / off



Water manually on / off



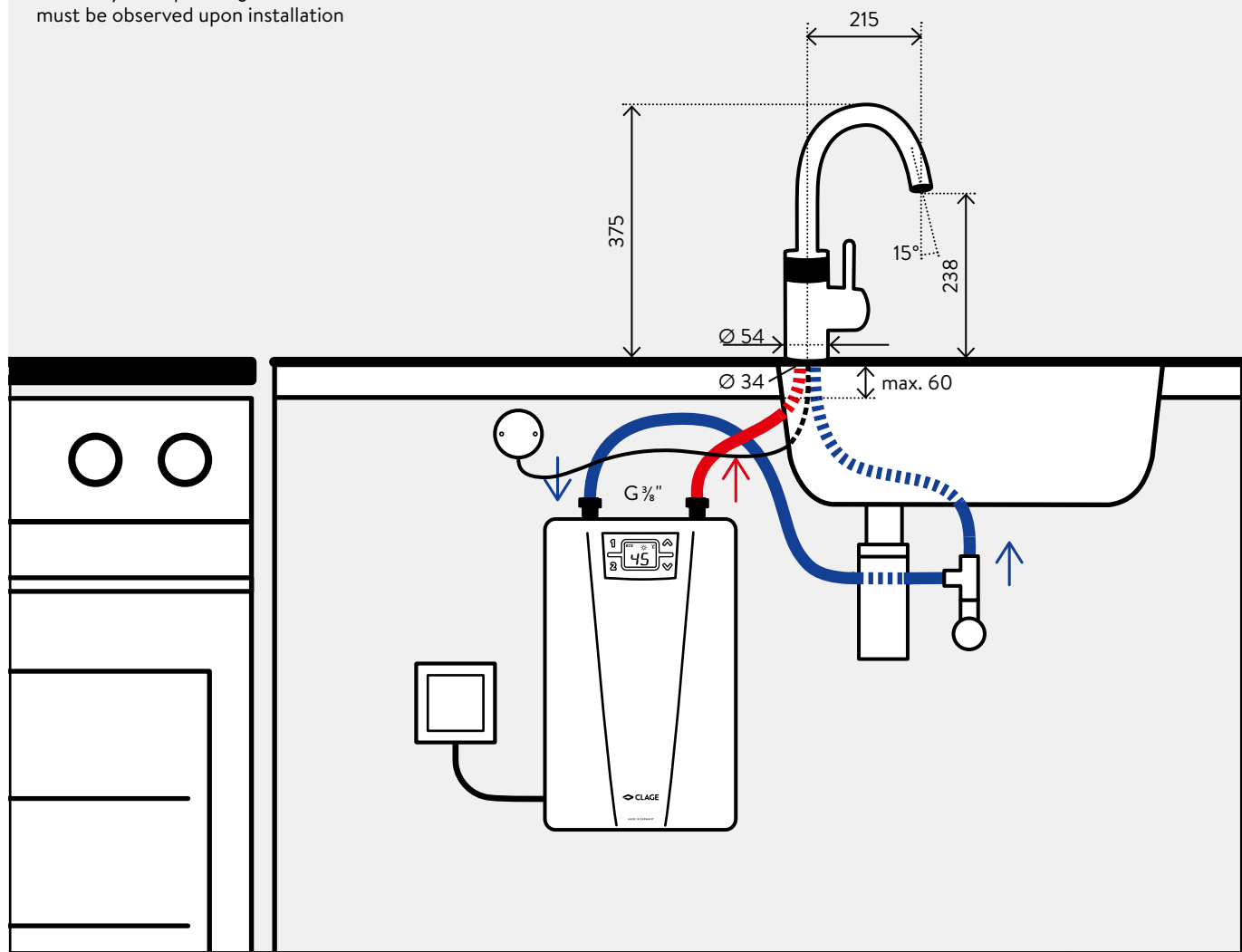
Temperature setting at the lateral lever

Sensor tap EKE Installation

Example of installation with **closed-outlet tap EKE** and power supply via battery with **accessory BBW**.

Measurements in mm

Assembly and operating instructions must be observed upon installation





Battery box BBW

Accessories for sensor tap for energy supply: Waterproof battery box including battery 6V Lithium CRP 2.
Cable length approx. 10 cm, Ø 6 cm

BBW: Part no. 89516



Power supply unit SNG

Accessories for sensor tap for energy supply: Power supply unit 1~/N/PE 230V AC / 6V DC. Cable length approx. 70 cm

SNG: Part no. 89484