

E-comfort instant water heater DBX



Application areas

Single and multiple point supply:

- > Bathroom (shower, bath tub, washbasin)
- > Shower
- > Kitchen sink
- > Washbasin



E-comfort instant water heater

DBX

Product information



	Energy efficiency class A (Scale: A+ to F)			
	DBX 18	DBX 21	DBX 24	DBX 27
Part number:	3200-34118	3200-34121	3200-34124	3200-34127
Type:	closed-outlet			
Maximum operating pressure [MPa (bar)]:	1(10)			
Water connections (thread connections):	G½"			
User set temperature [°C]:	Factory set: 50 (internally adjustable between 30 and 60)			
Hot water output at $\Delta t = 28 \text{ K}^{1) 2)}$ [l/min]:	9.2	10.7	12.3	13.8
Switch-on flow rate / max. flow rate [l/min]:	2.5 / 7.0 ³⁾	2.5 / 8.0 ³⁾		2.5 / 9.0 ³⁾
Nominal power rating [kW]:	18	21	24	27
Supply voltage:	3~ / PE 400 V AC			
Nominal current [A]:	26	30	35	39
Required cable diameter [mm ²]:	4.0	4.0	6.0	6.0
Bare wire heating system IES®:	✓			
VDE approved / Protection class:	✓ / IP 25			
Specific water resistance at 15 °C [Ωcm] ≥ :	1300			
Nominal volume [litres]:	0.4			
Weight filled with water [kg]:	approx. 3.7			
Dimensions (height × width × depth) [cm]:	46.6 × 23.1 × 9.7			

1) Temperature increase e.g. from 12 °C to 40 °C 2) Mixed water 3) Flow limited for optimum temperature increase

Description

- > Electronically controlled instant water heater without user controls
- > Automatic heating adjustment based on flow rate and inlet temperature is factory-set to 50 °C (adjustable internally)
- > The outlet temperature can be adjusted by a professional between 30 °C and 60 °C in the unit
- > Attractive, very slim design
- > The efficient bare wire heating system IES® reduces lime scale deposits and provides an extended service life
- > Electronic safety system with temperature and pressure shut-off
- > Easy installation due to accessible mounting area and variable connection options

E-comfort instant water heater

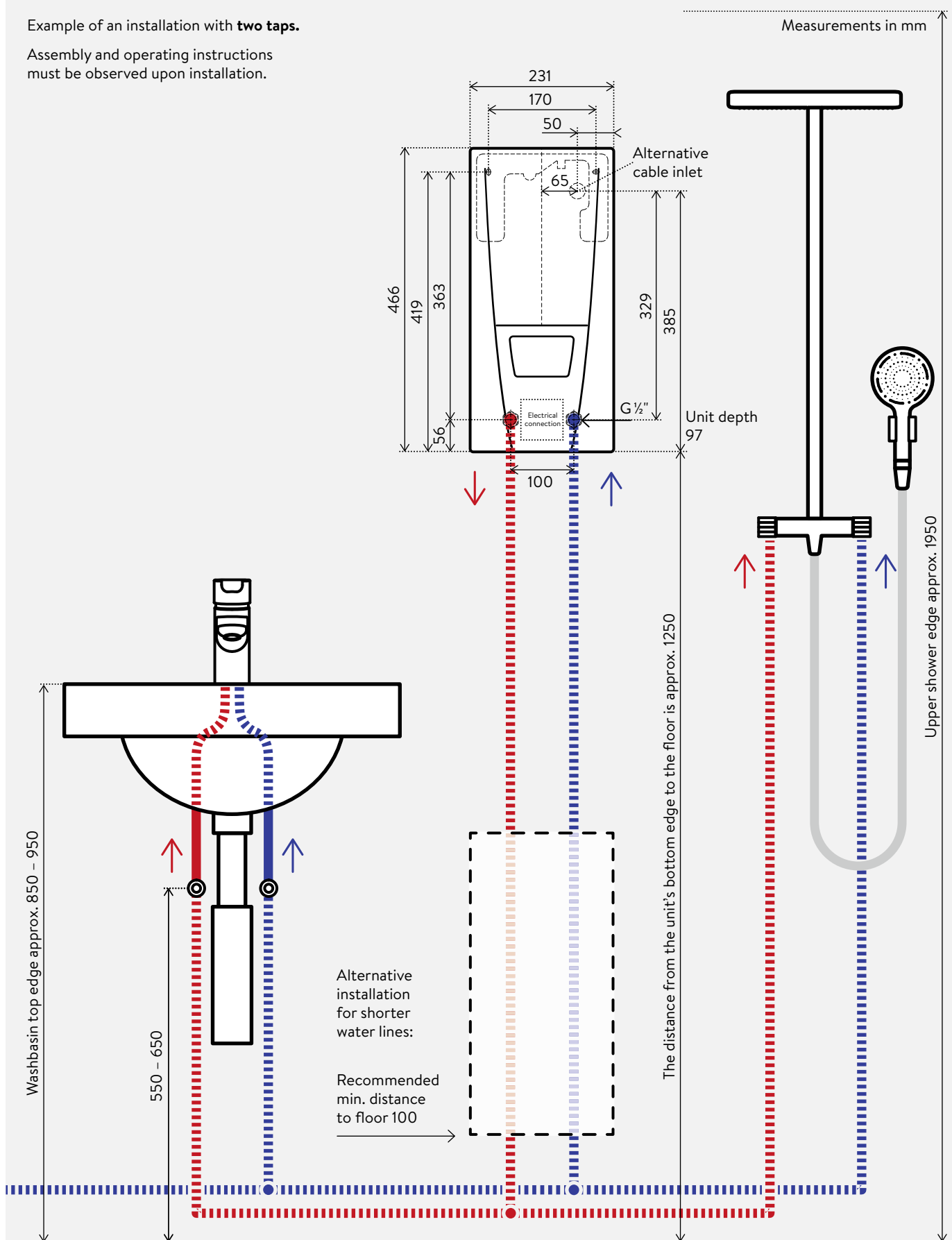
DBX

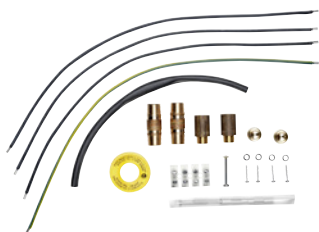
Installation



Example of an installation with **two taps**.

Assembly and operating instructions must be observed upon installation.



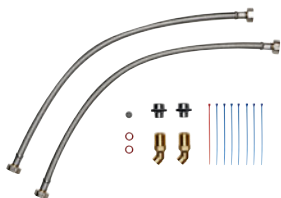


Basic mounting kit RDX for more mounting options (optional)

The universal mounting frame RDX, which allows for an electrical connection at any position behind the unit, is available as an accessory.

- > With electronic wiring and tap extensions
- > For difficult installation conditions, for example, exchanging an instant water heater with different connections
- > Compensates for uneven tiles or wall irregularities
- > Installation must be performed by a specialist

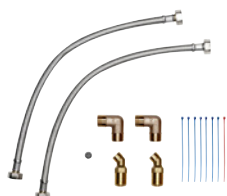
RDX: Part no. 3200-34100



Extension kit UDX for under-counter installation (optional)

Pipe assembly for undersink installation with water connections, top flush-mounted G $\frac{3}{8}$ inch (basic mounting kit RDX required).

UDX: Part no. 3200-34110



Extension kit VDX for offset mounting (optional)

Pipe assembly for offset installation or reversed water connections when exchanging gas water heaters (basic mounting kit RDX required).

VDX: Part no. 3200-34120